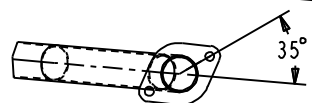
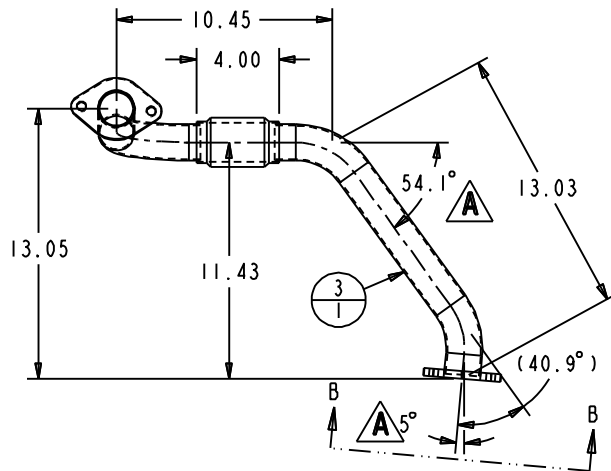
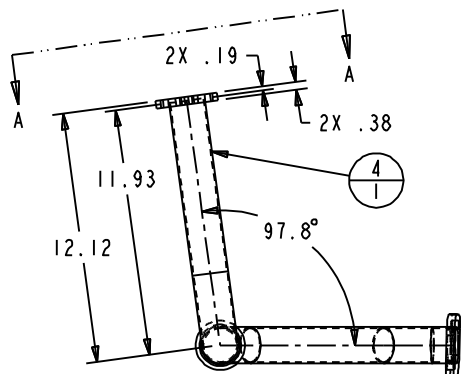
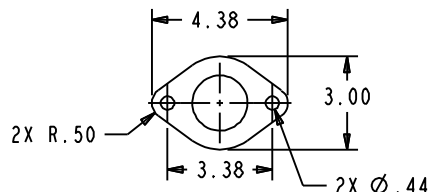
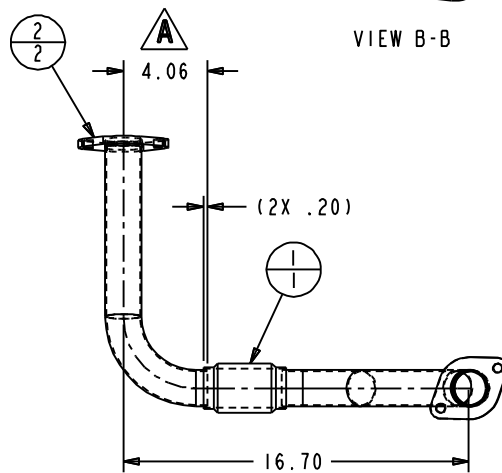


A
FLG
ROTATION
VIEW A-A



VIEW B-B



TYP. FLANGE DETAIL

BILL OF MATERIAL

ITEM	PART NO.	REQD	DESCRIPTION
1	3343551-CP03	1	COUPLER-WD EXHAUST FLEX
2	3343334-CP02	2	FLANGE-WD EXH PIPE
3	3343551-CP01	1	UPPER HEADER PIPE-HORIZONTAL
4	3343551-CP02	1	UPPER HEADER PIPE-VERTICAL

CONFIDENTIAL

THIS DRAWING AND ALL INFORMATION CONTAINED HEREIN ARE THE EXCLUSIVE PROPERTY OF MINUTEMAN INTERNATIONAL, INC. THIS DRAWING IS NOT TO BE COPIED OR OTHERWISE REPRODUCED WITHOUT EXPRESSED WRITTEN PERMISSION OF MINUTEMAN INTERNATIONAL, INC. IN ADDITION, THIS DRAWING MUST BE RETURNED UPON REQUEST. FURTHER, ALL INFORMATION CONTAINED HEREIN MUST BE MAINTAINED CONFIDENTIAL.

TITLE WELD-UPPER HEADER PIPE, TSS82/90		SCALE NTS
MATERIAL STNLS STL PIPE, C.STL FLG'S		FINISH N/A
TOLERANCES (UNLESS OTHERWISE SPECIFIED)		REMOVE BURRS AND BREAK SHARP EDGES .005/.020
.X ± .1	ANGULAR X ± 1°	DRAWN BY PA
.XX ± .03	.X ± .5°	DATE 4/28/07
.XXX ± .010		CHECKED BY TBD
		DATE 4/28/07
Minuteman PowerBoss 175 ANDERSON STREET ABERDEEN, NC 28315		P.N. 3343551 SHEET 1 OF 2

REV	ECN	DATE	CHANGE	BY	CHK BY
A	9690	5/29/07	ROTATE TOP FLG 4°. ADD SHIT 2 DIM 4.06 WAS 5.31 DIM 54.1° WAS 63.7°. ADD 5° BEND TO 3343551-CP01	PA	TBD
.	9678	5/16/07	RELEASE TO PRODUCTION	TBL	PA

